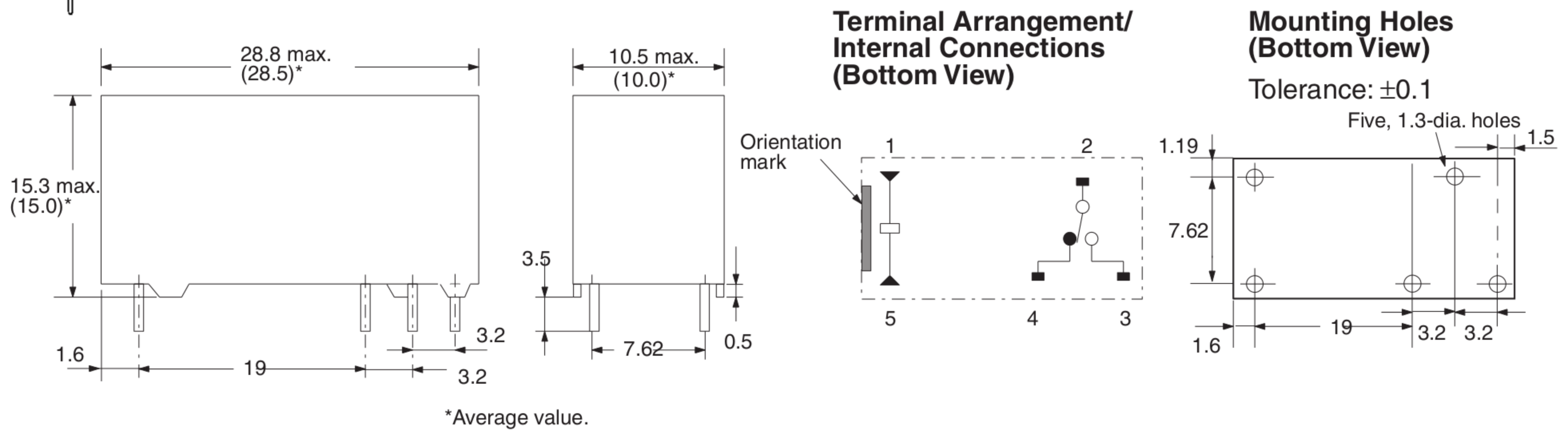
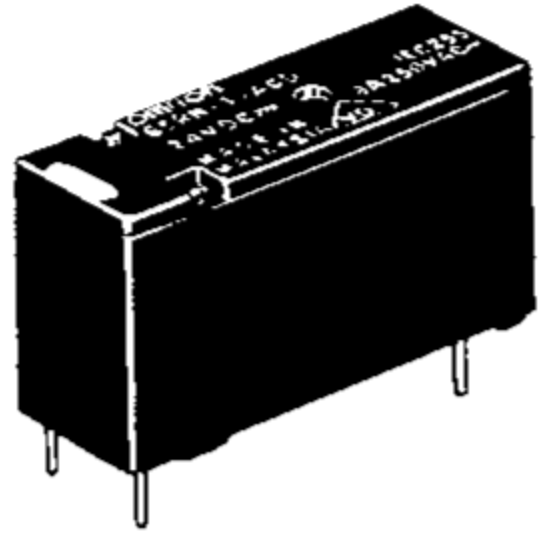


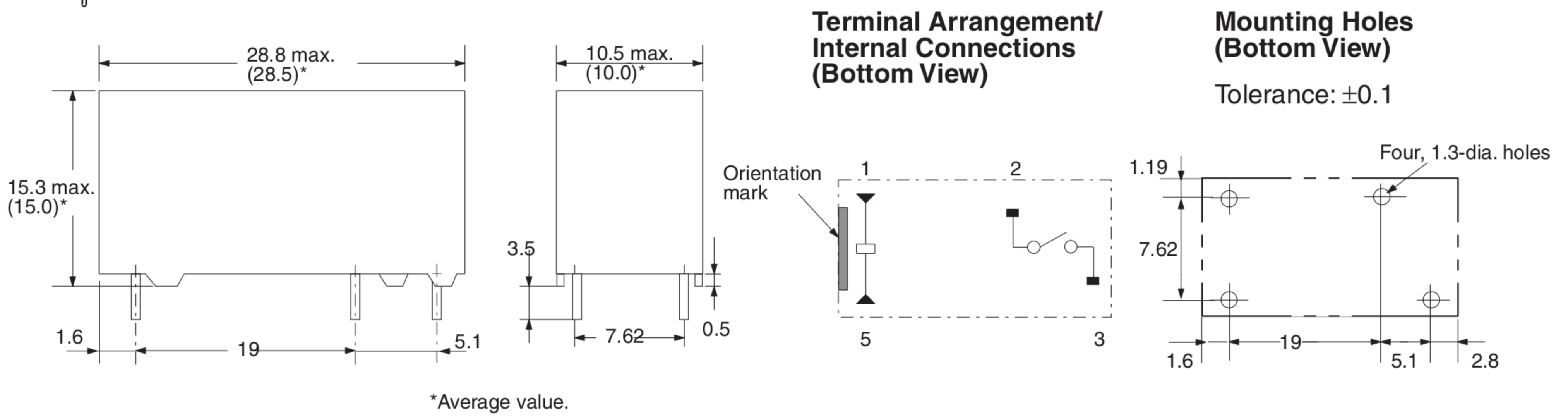
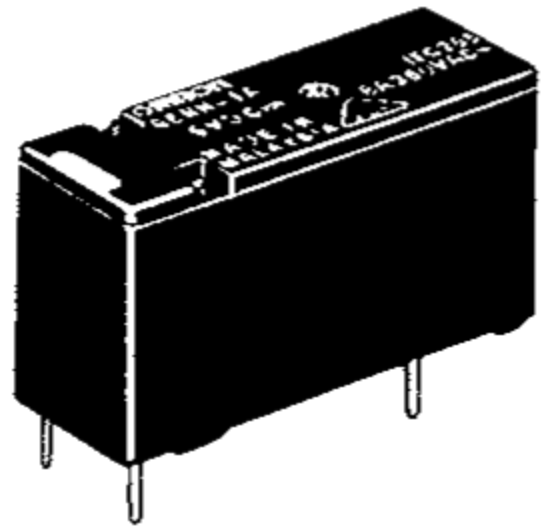
# Dimensions

**Note:** All units are in millimeters unless otherwise indicated.

## SPDT Type



## SPST-NO Type



**ALL DIMENSIONS SHOWN ARE IN MILLIMETERS.**

To convert millimeters into inches, multiply by 0.03937. To convert grams into ounces, multiply by 0.03527.